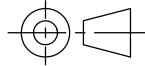


IF IN DOUBT ASK!

THIRD ANGLE PROJECTION



DO NOT SCALE DRAWING

TECHNICAL DETAILS

1) MAX. OPERATING PRESSURE 350 BAR

2) MAIN HOUSING MATERIAL S/S 303

3) WEIGHT 4.6 KG

4 SOLENOID VOLTAGE: 19...28 VDC (12 W)  
CONNECTOR TYPE: ISO/DIN 43650A, Form A (IP65)

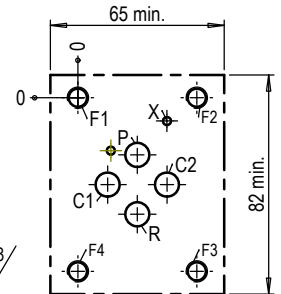
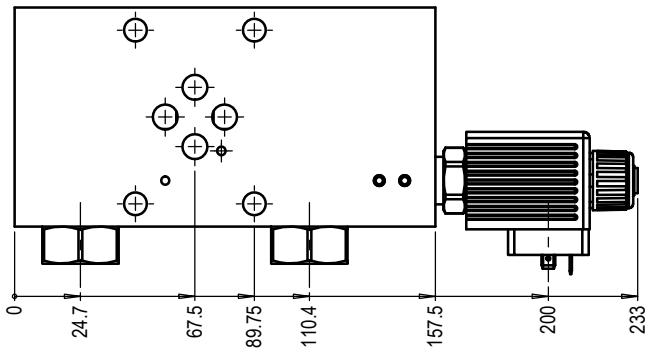
5 HEX SKT HD (HT) CAP SCREWS ISO 4762 M8 x 100

6) SUITABLE FOR PETROLEUM BASED MINERAL OILS  
AND WATER GLYCOLS

7) LEAKAGE < 5 DROPS/MIN

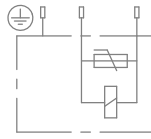
8) RESPONSE 0.1 SEC

	P	C1	C2	R	X	F1	F2	F3	F4	L
	∅9	∅9	∅9	∅9	∅3	M8	M8	M8	M8	∅3 ∇ 5
x	22.25	11.14	33.35	22.25	33.35	0	44.50	44.50	0	12.35
y	21.39	32.50	32.50	43.61	8.70	0	0	65	65	19.80



MOUNTING INTERFACES PER  
ISO 10372-04-04-0-92

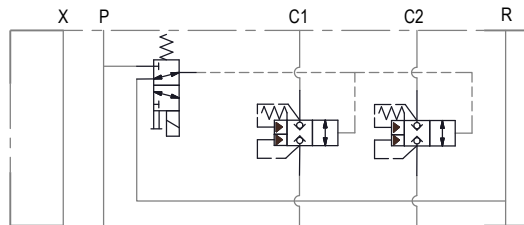
GEOM 0.01/100 FINISH 0.8



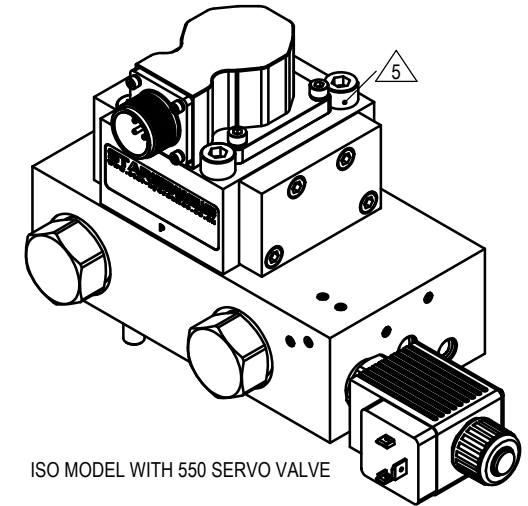
DC COIL

DESCRIPTION

This module contains 2 pilot-to-open logic valves and a 3-way normally closed solenoid. When either the solenoid is de-energised or there is a loss in supply pressure the logic valves isolate the servovalve control ports and thus lock the actuator in position.

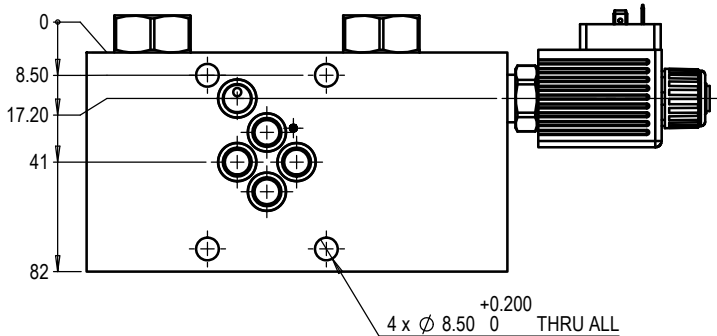
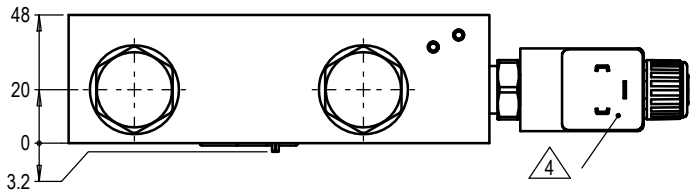


SCHEMATIC



ISO MODEL WITH 550 SERVO VALVE

WARNING do not remove when pressure exists at manifold



**STAR**  
SERVO TECHNOLOGY

STAR HYDRAULICS LTD

Tel: +44 (0)1684 296 176  
Fax: +44 (0)1684 850 714  
WWW.star-hydraulics.co.uk  
sales@star-hydraulics.co.uk

THIS DRAWING IS THE PROPERTY OF STAR HYDRAULICS LTD. AND IT'S ACCEPTANCE FOR THE PURPOSE OF INFORMATION SHALL IMPLY AGREEMENT BY RECIPIENT NOT TO USE IT FOR ANY OTHER PURPOSE AND NOT TO COPY IT, OR PASS IT ON TO A THIRD PARTY

MODEL FILE NAME:  
GA SM055- -101  
MODEL CONFIGURATION:  
SM055-A-101  
MODEL REVISION:  
02

MATERIAL: (SPECIFIED IN MODEL)  
Assembly See BOM Table

ADDITIONAL INFO:  
SEE BOM FOR ASSEMBLIES

SEE BS 308 FOR EXPLANATION OF SYMBOLS AND GEOMETRIC TOLERANCES.

UNLESS OTHERWISE SPECIFIED:  
DIMENSIONS ARE IN MILLIMETRES.  
THREADS TO BS 3643.

MACHINING: ±0.25mm ±1.0° √ 3.2 μm Ra  
MACHINING BOXED: [±0.10mm] [±0.5°]  
FABRICATION: ±2.0mm ±2.0°

REMOVE ALL BURRS & BREAK SHARP EDGES R 0.25 OR CHAMFER MAX.

FINISH:  
NATURAL

PROJECT:  
Modules

AUTHOR:

STATUS:  
Released

SCALE 1:2

SHEET 1 OF 1

WEIGHT:  
4.97 KG

FILE NAME:  
SM055-A-101

DESCRIPTION:  
MODULE (55X) ISOLATION (SOL)

NUMBER:  
SM055-A-101

DRAWING SHEET SIZE  
ISO A3  
420W x 297H mm